

ThermoKey®

Heat Exchange Solutions

Notes and minimum precautions for the use
of TKMicro MCHX Microchannel Cores

Note e precauzioni minime per l'utilizzo
delle batterie microcanale MCHX TKMicro

Uwagi oraz podstawowe środki bezpieczeństwa
podczas używania wymienników mikrokanałowych
TKMicro

MT IS_B MC SET 01 2026

THE ORIGINAL VERSION OF THESE
INSTRUCTIONS IS IN ITALIAN

LANGUAGES SUMMARY

EN	NOTES AND MINIMUM PRECAUTIONS FOR THE USE OF TKMICRO MCHX MICROCHANNEL CORES	04
IT	NOTE E PRECAUZIONI MINIME PER L'UTILIZZO DELLE BATTERIE MICROCANALE MCHX TKMICRO	15
PL	UWAGI ORAZ PODSTAWOWE ŚRODKI BEZPIECZEŃSTWA PODCZAS UŻYWANIA WYMIENNIKÓW MIKROKANAŁOWYCH TKMICRO	26

ThermoKey®
Heat Exchange Solutions

Notes and minimum precautions for the use of TKMicro MCHX Microchannel Cores

MT IS_B MC SET 01 2026

THE ORIGINAL VERSION OF
THESE INSTRUCTIONS IS IN ITALIAN

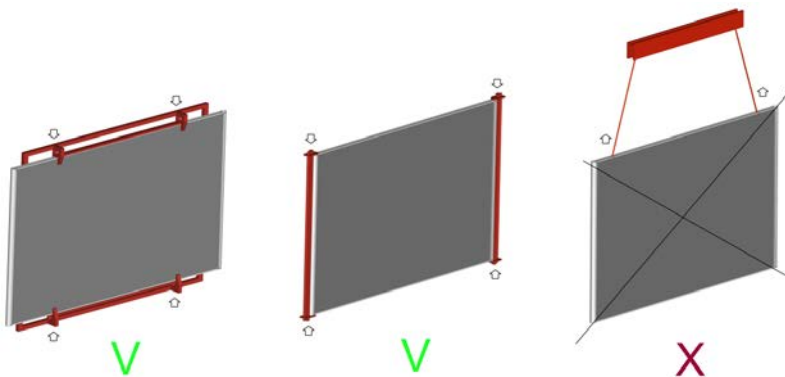
Whereas:

- The notes and minimum precautions set out in this document, which is updated to July 2017, supersede and replace any previous document or information provided by ThermoKey S.p.A. and having the same subject matter.
- TKMicro are microchannel cores (MCHX) produced by ThermoKey S.p.A.
- TKMicro cores shall be hereinafter defined as “**Core**” or “**Cores**”.
- Cores are composed of different aluminium alloys which hereinafter are defined as “**Aluminium**”.
- TKPro is an external protective treatment of **Cores** consisting in pre-treatment, e-coating and subsequent UV-topcoat painting.
- Except in case of different instructions given by the **Client**, the **Cores** are provided without TKPro treatment and without any other external protective treatments.
- One or more HVAC&R Units are hereinafter defined as “**Units**”.
- “**Liquid**” hereinafter means a solution of water + glycol + inhibitor.
- The “**Client**” is anyone who purchases Cores from ThermoKey S.p.A.
- If the **Client** places an order with ThermoKey S.p.A. for a **Core** without any further specifications, the Core shall be provided with copper-aluminium junctions.
- If the **Client** places an order with ThermoKey S.p.A. for a Core specifying that the Core is to be used with ammonia, the **Core** shall be provided with inox-aluminium junctions and not with copper-aluminium junctions.
- If the **Client** places an order with ThermoKey S.p.A. for a **Core** specifying that the **Core** is to be used as a **Liquid** cooler, the **Core** connections are set for the sole use of “victaulic” connections.
- If the **Core** is ordered to be used for condensation purposes, it is not suitable for use as **Liquid** cooler. Equally, if the **Core** is ordered to be used as **Liquid** cooler, it is not suitable to be used for condensation purposes.
- Any reference to “**expert and qualified personnel**” is to be construed as a reference to non-ThermoKey S.p.A. personnel, but to personnel selected by, and under the supervision of, the **Client** or any third party who uses or in any way has access to the **Cores**.
- This document is made up of twelve pages, all consecutively numbered from one to twelve.

- This document is drafted in Italian and in English. The only official version is the one drafted in Italian. In the event of any inconsistency or dispute between the two versions, the Italian version shall always prevail.

The following are the notes and minimum precautions (that have to be examined and applied by the **expert and qualified personnel** and that the **Client** must, and undertakes to, comply with and to disclose to anyone who uses or has access to the **Cores**) which are absolutely essential for the correct use of the **Cores**. In any event, the **Client** undertakes that the handling, installation, use, disposal and, in general, the safekeeping of the **Cores** shall be carried out by **expert and qualified personnel**, pursuant to the law provisions in force, the technical and safety regulations applicable to each activity carried out and using in any event the utmost care and diligence:

1. The **Cores** can only be used for condensation purposes or as **Liquid** cooler. In dedicated chapters of this document some specific instructions shall be provided in case: a) ammonia is used in the **Unit's** primary circuit (CHAPTER "*Additional notes and precautions when using ammonia (NH₃) in the **Unit's** primary circuit*"); b) use of the **Core** as **Liquid** refrigerator within the **Unit** (CHAPTER "*Additional notes and precautions when using the **Core** as a **Liquid** cooler within the **Unit***").
2. The **Cores** are designed for the condensation of refrigerants in groups 1 or 2¹, indeed each **Core** can be used with just one of the two groups of refrigerants. On the label on the manifold of each **Core** is indicated the group of refrigerants that can be used for such **Core** and the PS² (maximum possible pressure). The only refrigerants permitted with the **Cores** are those falling within the group indicated on the label of each **Core**. The use of different refrigerants from those indicated on the label is strictly prohibited and dangerous and shall not be allowed except with ThermoKey S.p.A.'s prior written approval. Exceeding at any time the maximum exercise pressure (PS³) is strictly prohibited for all **Cores**.
3. Prior to lifting and moving the **Cores**, always check their actual weight⁴ and use adequate IPDs (individual protection devices, see also Legislative Decree no. 81/2008) for safety reasons, being careful not to damage in any way the **Cores** and particularly the finned pack, the manifolds and the connections. It is strictly prohibited to use the connections, which are delicate parts of the **Core**, as anchoring points when lifting or handling the **Core**, which would cause serious damage to the **Core** and serious risks for the safety of persons and goods.



NOTES

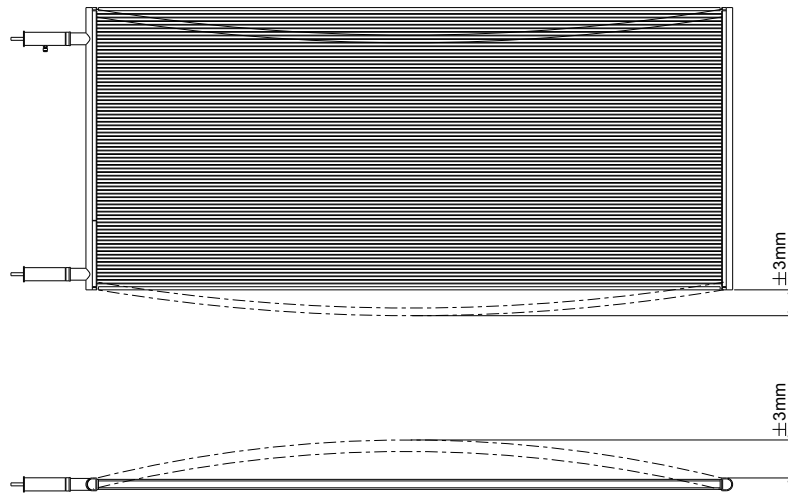
¹ As defined in Directive 2014/68/EU (DEP) and in the technical regulations referred to therein.

² As defined in Directive 2014/68/EU (DEP) and in the technical regulations referred to therein.

³ As defined in Directive 2014/68/EU (DEP) and in the technical regulations referred to therein.

⁴ The weight indicated on the label or on other ThermoKey S.p.A. documents is merely indicative and in any event refers to the empty Core without packaging.

4. During the whole life cycle of the **Core** (for example: storage, handling, installation, maintenance, cleaning, etc.) and therefore also during its use, avoid the deposit of substances which are aggressive for **Aluminium** (for instance copper bits and substances with pH not included between 7 and 8.2). This applies both to the internal circuits and to the external surface of the **Core**. Storage must be done in clean and dry places. The **Cores** can be cleaned by using pressure air, which must not under any circumstances exceed 10 bar, from a minimum distance of 300mm and only in the same direction of the fins, otherwise there is a risk of seriously damaging the **Core**. The **Cores** should not be exposed to any significant vibrations, regardless of their origin, otherwise there is a risk of seriously damaging the **Cores**.



5. For the installation of the **Cores** on the **Units** the following instructions must be followed, otherwise there is a risk of seriously damaging the **Cores**:

- The **Core** must not be used as support for the **Unit** or anything else.
- The project of the parts of the **Unit** must be done so as to avoid significant vibrations.
- Strictly avoid stagnant water on any part of the **Core**, especially on the lower part.
- Strictly avoid mechanically fixing the **Core** to the **unit** frame, since it is essential to permit the **Core's** expansion during its functioning. For this reason: a) it is prohibited to use screws or anything else to mechanically fix the B to the **Unit**; b) it is necessary to provide for adequate space at the end of the two manifolds of each **Core** so as to permit its expansion.
- During the project development, it is necessary to take into consideration the fact that the **Core** is a furnace based product and, therefore, compared to the nominal theoretic sizes and/or blueprint provided by ThermoKey S.p.A., the diagonal tolerances could reach $\pm 11\text{mm}$. Furthermore, additional tolerances are shown in the following design.
- Avoid using **Cores** with control of the air and the refrigerant flow in mode on/off⁵ in environments with temperatures below -10°C (10 degrees below zero Celsius), because this would cause sudden thermal shocks that can seriously damage the **Core**.
- Arrange around the entire **Core** a sponge with closed cells. Any other alternative to this is not permitted except with ThermoKey S.p.A.'s prior written approval.
- Protect the copper-aluminium junctions from overheating when brazing the **Core** connections to the **Unit** by using thermo-isolating gels.

NOTES

⁵ These are systems that regulate the air and refrigerant capacity in steps, therefore in a non-linear and non-progressive manner.

- The thermos-constricting sheath must be protected when brazing the **Core** connections to the **Unit**.
- The copper tubes must be adequately cleaned, using the utmost care and diligence, before brazing the **Core** connections so that there are no copper bits (residue from the previous manufacturing process of the **Unit**) that may enter the internal circuit of the **Core** during its functioning, thus damaging it.
- The connection of the **Core** to the **Unit** must not create mechanical tensions to the **Core** connections.
- It is crucial to arrange a good and effective grounding system of the **Unit**, in compliance with the law provisions in force.
- Avoid galvanic currents and dispersion vacant currents of any kind.
- It is prohibited to use adiabatic systems with the **Cores**, unless otherwise previously agreed in writing with ThermoKey S.p.A.
- It is prohibited to modify the **Core** except with ThermoKey S.p.A.'s prior written authorisation.

6. The **Cores** should never come into contact, not even during maintenance and cleaning, with corrosive agents, as the latter can seriously damage the **Cores**. Among the corrosive agents, for example, are concentrated products such as acids and solvents, which are, by definition, highly corrosive for metals and varnishes.

7. When disposing of the **Core**, among the issues that should be considered is that it is composed of different **Aluminium** alloys and that after the use there will be in the internal circuit residue of the oils used in the refrigerant circuit of the **Unit**.

8. The **Cores** provided in wooden boxes must not be stored outside and, if the packaging is exposed to humidity or rain, it is necessary to immediately remove the **Cores** from the packaging and dry them, otherwise there is a serious risk of damaging them.

9. The **Cores** should as a minimum be treated with the TKPro treatment (however it remains a duty on the **Client**, who by executing this document undertakes to do so, to verify whether external protective treatments are necessary, in case even more resistant than TKPro) in either one of the following cases

- a. in case of presence of one of the substances indicated in **Schedule A** attached to this document.
- b. in case of environments with high humidity (>75%) during most of the year.
- c. in case of environments where the phenomenon of acid rains occurs (e.g. Northern Europe, Scandinavian regions, etc.); or
- d. in case of corrosive environments as defined by ISO regulation 12944.

It is to be highlighted that particular environmental conditions (for instance, the presence of a volcano), alone or together with one or more of the conditions mentioned in points a) to d) above, or the particular aggressiveness of the acid rains or the corrosive environments as defined by ISO regulation 12944 may make TKPro insufficient to protect the **Cores** and may require special treatments. Upon the **Client's** specific request, ThermoKey S.p.A. may quote and provide the **Client** with special protective treatments, other than TKPro. Such special protective treatments and the relevant supplier shall be chosen by the **Client** and identified on the basis of the information provided by the **Client** in relation to the environment where the **Cores** are to be stored and installed.

10. The use of the TKPro treatment or of other special protective treatments in relation to the **Cores** is always a choice of the **Client**, who:

- Shall assess with the utmost care a series of important variables, considered that around the world there are areas with corrosive atmospheric conditions, with consequent high risk of corrosion, and that the **Core's** corrosion is strictly linked to the site of installation or storage.
- Shall assess with the utmost care not only the general environmental conditions, but also possible particular micro-climatic conditions, due for instance to the combination of environmental factors which lead to an increase in corrosion, thus damaging the **Cores**. Among such environmental factors are, for instance, the presence of polluting substances, humidity, wind speed, fog, temperature level, nearby industrial sites, volcanos, etc. Before purchasing the **Cores**, the **Client** shall assess the single factors and the effect of their combination and co-presence in the installation and storage sites.
- Shall assess the need and adequacy of TKPro, or of any other chosen treatment, to the specific installation and storage environment, taking into account **Schedule A** attached to this document.

11. For the purposes of point 10 above it is the **Client's** duty to make any necessary assessment. In addition, it should be highlighted that:

- **among the most polluting substances that can impact on corrosion are, for example:**

- a. Sulphur Oxides (e.g. SO₂ and SO₃). These are present for instance in urban and industrial atmospheres. They are responsible for acid rains and corrosive fogs, which cause dry condensations and sediments containing Sulphur Oxides on the **Cores**. Such substances may derive from the combustion of coal or other fossil combustibles, etc. created by way of example by industrial plants, airports, urban traffic, chemical plants, incinerators, volcanos, etc. Such Sulphur Oxides reduce the pH to values close to 3-4 (acid environments), totally unsuitable to **Cores**, which are seriously damaged as a result.
- b. Chlorides. These are present for instance in coastal regions, cement plants, several cleaning products, road salt, etc..
- c. Nitrogen Oxides and ammonia derivatives. These derive for instance from fertilizers, agricultural production processes, water treatments or different types of fermentation processes. Nitrogen Oxides and ammonia derivatives reduce the pH to values close to 3-4 (acid environments), totally unsuitable to **Cores**, which are seriously damaged as a result.

- **a widespread categorisation to define corrosive environments is the following:**

- a. Rural areas: these are agricultural areas and small urban centres far from the coast which have a presence of anhydride sulphur, chlorides, fertilizers, pesticides, etc., but where deposits of SO₂ are less than 20 µg/m³ and deposits of ammonia derivatives and of NaCl are less than 5 mg/m²/day.
- b. Urban areas: these are areas with a high population density but without industrial sites, with moderate contamination of corrosive agents (for example: concentration of SO₂ between 20-100 µg/m³ and ammonia derivatives and of Chlorides less than 5 mg/m²/day) and high humidity.
- c. Industrial areas: these are areas with industrial sites, high concentration of corrosive agents (for example, concentration of SO₂ up to 100 µg/m³ and ammonia derivatives and of Chlorides less than 5 mg/m²/day).
- d. Coastal areas: these are coastal or internal areas influenced by the sea (approximately within 5 km from the coast, however this is extremely variable on the basis of a number of factors to be assessed

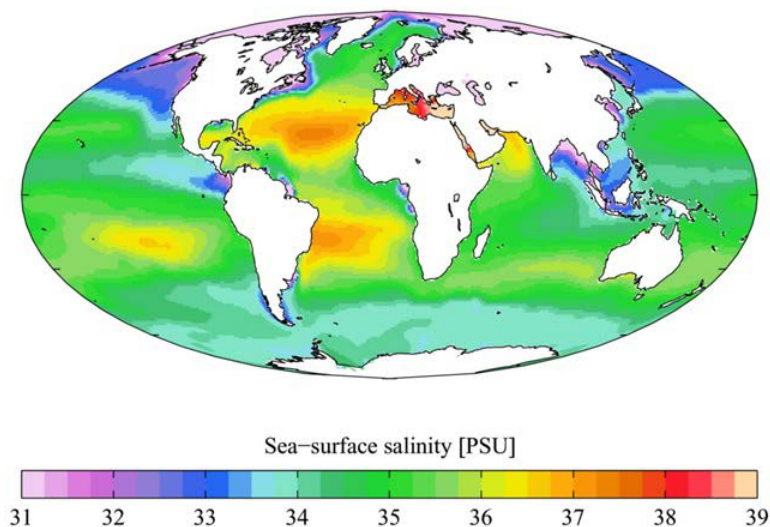
- on a case by case basis, including the direction and intensity of winds). In these areas the deposit of Chlorides can reach over 1500 mg/m²/day near the coast, which can seriously damage the **Cores**.
- e. Coastal-Industrial areas: these are coastal or internal areas influenced by the sea (approximately within 5 km from the coast, however this is extremely variable on the basis of a number of factors to be assessed on a case by case basis, including the direction and intensity of winds) with industrial sites or commercial ports. This leads to the presence of high levels of polluting agents and Chlorides, which can seriously damage the **Cores**.
 - **By way of example**, and without prejudice to the fact that the **Client** must carry out – under its sole responsibility – all the necessary assessments and autonomously take a decision on the most appropriate treatment for the protection of the **Cores**⁶, the following is a (hypothetical and general) summary for the choice of TKPro treatment:

RURAL AREAS (as indicatively defined above), located at a distance exceeding 3 km from fermentation plants/sites and corrosive polluting agents.	Standard TKMicro
RURAL AREAS (as indicatively defined above), located at a distance not exceeding 3 km from fermentation plants/sites and corrosive polluting agents.	TKPro
URBAN AREAS (as indicatively defined above).	Standard TKMicro
COASTAL AREAS (as indicatively defined above).	TKPro
INDUSTRIAL AREAS (as indicatively defined above).	TKPro
COASTAL-INDUSTRIAL AREAS (as indicatively defined above).	For sure in these cases it is necessary to provide for an external protective treatment, but for such cases it is impossible to give a hypothetical or general indication.

NOTES

⁶ In any event, it is up to the Client to verify the conditions of the site of installation and storage of the Cores, such conditions being subject to change over time (for instance, climate change and/or new installations/nearby activities and/or for a different use of the nearby territory) and decide whether to carry out a protective treatment to the Cores. If so, it is up to the Client to decide the most appropriate treatment (TKPro or special treatments). The summary's indications are just hypothetical and must be adapted to the micro-climates, also on account of the presence of one or more of the above described conditions, given that in the various sites specific situations may occur that may be significantly different from the ones described above. Indeed, the definitions of the Areas are merely theoretical and used only by way of example. Examples of micro-climates are: areas where there is a frequent and significant use of pesticides, storage of chemical materials, logistics areas with high transport levels, evaporation towers, chemical products disposal areas, etc. The person defining the project is and remains always responsible for the decision on the choice to be adopted for that specific application.

⁷ The image shown in this document is merely an example, downloaded from the Internet and the reliability of which is not guaranteed. Therefore it should not be used in any way as a parameter or even as a cue for the **Client's** choices.



- **In order to help better understand the difficulties in identifying the corrosion risks connected to specific locations**, it should be highlighted that a generic map of a coastal area (such as the one hereby reproduced⁷, by way of example), showing the salt levels in the various areas on the planet, shows how these change substantially from one location to the other. This indicates that the protective treatments sometimes necessary and sometimes is not, despite the general indications above (such as the one regarding the distance of 5 km from the coast).

12. The **Cores** are not completely waterproof and the **Client** must consider this during the **Cores'** entire life (e.g.: storage, handling, installation, maintenance, cleaning, etc.) and therefore also during their use and, by executing this document, the **Client** undertakes to comply with and to disclose those who use or have access to the **Cores**. Furthermore, at the end of the production process the **Cores** are tested by ThermoKey S.p.A. and at that time they are compliant with technical regulations EN378. ThermoKey S.p.A. cannot and does not guarantee that the **Cores** will continue to comply with such technical regulations, particularly because their possible corrosion and in any event their treatment, use and maintenance may affect the integrity of the **Cores**.

CHAPTER DEDICATED TO ADDITIONAL NOTES AND PRECAUTIONS WHEN USING AMMONIA (NH₃) IN THE UNIT'S PRIMARY CIRCUIT

Whereas:

- a. Those that follow are notes and minimum precautions (that have to be examined and applied by **the expert and qualified personnel** and that the **Client** must, and undertakes to, comply with and to disclose to anyone who uses or has access to the **Cores**) which are absolutely essential for the correct use of the **Cores**.
- b. It is necessary that, and the **Client** undertakes to abide by the fact that, the handling, installation, use, disposal and, in general, the safekeeping of the **Cores** shall be carried out by **expert and qualified personnel**, pursuant to the law provisions in force, the technical and safety regulations applicable to each activity carried out and using in any event the utmost care and diligence.

When using ammonia (which is included among the refrigerants of group 1 under Directive 2014/68/EU) in the Unit's primary circuit, in addition to the above points (from 1 to 12):

- The maximum percentage of water inside the circuit must never exceed 5% otherwise it could trigger corrosion phenomena and the **Core** could be seriously damaged.
- The use of PAG type oils in the internal refrigeration circuit is dangerous as it could trigger corrosion phenomena and the **Core** could be seriously damaged, because such oils have a high hygroscopic level that can cause acidity in presence of humidity.
- If a **Core** is ordered from ThermoKey S.p.A. specifying that it is to be used with ammonia, the junctions will not be copper-aluminium but inox-aluminium.

CHAPTER DEDICATED TO ADDITIONAL NOTES AND PRECAUTIONS WHEN USING OF THE CORE AS LIQUID COOLER WITHIN THE UNIT

Whereas:

- a. Those that follow are notes and minimum precautions (that have to be examined and applied by

the expert and qualified personnel and that the **Client** must, and undertakes to, comply with and to disclose to anyone who uses or has access to the **Cores**) which are absolutely essential for the correct use of the **Cores**

- b. It is necessary that, and the **Client** undertakes to abide by the fact that, the handling, installation, use, disposal and, in general, the safekeeping of the **Cores** shall be carried out by **expert and qualified personnel**, pursuant to the law provisions in force, the technical and safety regulations applicable to each activity carried out and using in any event the utmost care and diligence.

In case of use of the **Core** as **Liquid** cooler within the **Unit**, **in addition** to the above points (from 1 to 12), otherwise a risk of serious damages arises:

- The primary circuit in which the **Cores** are inserted and the **Unit** must be closed.
- In such primary circuit the use of FeZn parts is prohibited.
- Such primary circuit must be filled exclusively with the **Liquid** and any air present inside the circuit must be removed.
- The **Liquid** must contain a minimum percentage of 25% of glycol + inhibitor, otherwise the **Core** can be seriously damaged. Use Glycols without Silicates. Examples of the **Liquid**, the technical schedule of which provided by the producer is compliant with the use of the **Cores** are: Tyfocor L, Antifrogen L.; (strictly follow all the information provided in the technical data sheets of the specific fluid actually used).
- The **pH of the Liquid** must always be kept **between 7 and 8**, the conductivity needs to be lower than 500 $\mu\text{S}/\text{cm}$, Chlorides needs to be lower than 50 mg/l and the total hardness less than 15 $^\circ\text{F}$ (it is mandatory to follow all the information provided in the technical data sheets of the specific fluid actually used).
- Except when certain events (for example when the **Unit** is shut down for a long period, etc.) or conditions suggest more frequent checks are required, it is necessary to check at least every 6 months the percentage of glycol + inhibitor of the **Liquid** and if it is lower than 25% it is necessary to reinstate immediately the correct percentage of glycol + inhibitor.
- It is strongly advisable not to test the **Cores** using just water or with **Liquid** having a percentage of glycol + inhibitor lower than 25%. If the **Cores** are tested in this way, the primary circuit must be immediately filled with **Liquid** having the percentage of glycol + inhibitor mentioned above.
- The maximum **Liquid** speed must be less than 1.4m/s. Higher speeds cause erosion phenomena that can seriously damage the **Core**.
- During the start-up of the Unit use a **filter with mesh of at least 100**, while **during its functioning a filter with a mesh of 80 with a magnetic drain plug** is sufficient. It is necessary to **check at least every six months the filters**.
- Maintenance must be carried out so as to absolutely prevent the inlet of oxygen or other gas into the **Core**.
- The maximum allowed pressure (PS⁸) when using the **Core** is 15 bar and it is strictly prohibited to exceed such pressure at any time.
- If the **Client** places an order with ThermoKey S.p.A. for a **Core** specifying that the **Core** is to be used as **Liquid** cooler, the **Core** connections are set for the sole use of “victaulic” connections.

NOTES

⁸ As defined in Directive 2014/68/EU (DEP) and in the technical regulations referred to therein.

BEGINNING OF SCHEDULE A

The following list of substances and data are provided by the producer of the base powders subsequently used for the production of the TKPro treatment. Therefore, ThermoKey S.p.A. shall not be responsible for such information.

The chemical resistance of TKPro to the fumes of the following substances relates to the single substance and at the temperature of 20°C (TKPro's chemical resistance to different temperatures and/or in case of combination of substances shall be subject to adequate and thorough technical assessments by the **Client**, since the protective result is not guaranteed):

- | | | |
|------------------------|--------------------------|-----------------------|
| ▪ Acetone | ▪ Fructose | ▪ Phosgene |
| ▪ Ammonia | ▪ Gasoline | ▪ Phenolphthalein |
| ▪ Ammonium Hydroxide | ▪ Glucose | ▪ Potassium Chlorides |
| ▪ Benzene | ▪ Glycol Ether | ▪ Potassium Hydroxide |
| ▪ Borax | ▪ Hydrogen Sulfide | ▪ Propyl Alcohol |
| ▪ Butyl Alcohol | ▪ Hydrazine | ▪ Propylene Glycol |
| ▪ Butyl Cellosolve | ▪ Hydroxylamine | ▪ Salt water |
| ▪ Calcium Chloride | ▪ Iodine | ▪ Sodium Bisulfite |
| ▪ Calcium Hypochlorite | ▪ Isobutyl Alcohol | ▪ Sodium Chlorides |
| ▪ Carbon Tetrachloride | ▪ Isopropyl Alcohol | ▪ Sodium Sulfate |
| ▪ Cetyl Alcohol | ▪ Kerosene | ▪ Sucrose |
| ▪ Chlorides | ▪ Lactose | ▪ Sulfates |
| ▪ Chlorine Gas | ▪ Magnesium | ▪ Sulfides |
| ▪ Creosol | ▪ Menthol | ▪ Sulfites |
| ▪ Diesel Fuel | ▪ Methanol | ▪ Starch |
| ▪ Diethanolamine | ▪ Methylene Chlorides | ▪ Toluene |
| ▪ Ethyl Acetate | ▪ Methyl Ethyl Ketone | ▪ Triethanolamine |
| ▪ Ethyl Alcohol | ▪ Methyl Isobutyl Ketone | ▪ Urea |
| ▪ Ethyl Ether | ▪ Mustard Gas | ▪ Vinegar |
| ▪ Fluorine Gas | ▪ Naphthol | ▪ Xylene |
| | ▪ Ozone | |

The use of TKPro in the presence of substances not included in the list set out in this Schedule is not permitted, because it does not provide adequate protection, not even hypothetically. Upon the **Client's** specific request, ThermoKey S.p.A. may quote and provide the **Client** with special protective treatments, other than TKPro. Such special protective treatments and the relevant supplier shall be chosen by the **Client** and identified on the basis of the information provided by the **Client** in relation to the environment where the **Cores** are to be stored and installed.

Client's signature for receipt and inspection of the document and for accepting and agreeing to comply with the obligations therein.

Place and date _____ **Signature and seal** _____

ThermoKey®
Heat Exchange Solutions

Note e precauzioni minime per l'utilizzo delle batterie microcanale MCHX TKMicro

MT IS_B MC SET 01 2026

LA VERSIONE ORIGINALE DELLE PRESENTI ISTRUZIONI
È IN LINGUA ITALIANA

Premesso che:

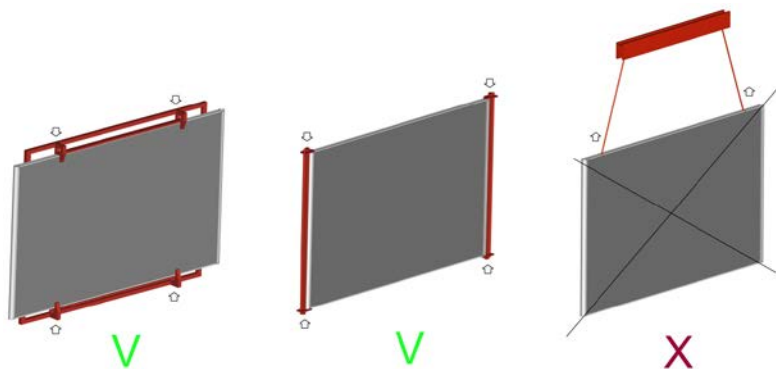
- Le note e precauzioni minime contenute nel presente documento, che è aggiornato al mese di luglio 2017, sostituiscono e annullano ogni precedente documento o informazione forniti da ThermoKey S.p.A. aventi analogo contenuto od oggetto.
- TKMicro sono batterie microcanale (MCHX) prodotte da ThermoKey S.p.A.
- Le batterie TKMicro, nel seguito del presente documento, saranno indicate anche solo come “**Batteria**” o “**Batterie**”.
- Le **Batterie** sono realizzate con leghe di alluminio che, nel seguito del presente documento, saranno indicate anche solo come “**Alluminio**”.
- TKPro è un trattamento protettivo esterno delle **Batterie** costituito da pre-trattamento e-coating e successiva verniciatura UV-topcoat.
- Salvo diverse indicazioni del **Cliente**, le **Batterie** vengono fornite senza trattamento TKPro e senza altri trattamenti protettivi esterni.
- Una o più **Unità** HVAC&R nel seguito del presente documento verranno indicate anche solo come “**Unità**”.
- Per “**Liquido**”, nel seguito del presente documento, s’intende una soluzione composta da acqua+glicole+inibitore.
- Il “**Cliente**” è chi compra le **Batterie** da ThermoKey S.p.A.
- Se il **Cliente** ordina a ThermoKey S.p.A. una **Batteria** senza ulteriori specificazioni, essa viene fornita con giunzioni rame-alluminio.
- Se il **Cliente** ordina a ThermoKey S.p.A. una **Batteria** specificando che è per l’utilizzo con ammoniaca, essa viene fornita con giunzioni inox-alluminio, non rame-alluminio.
- Se il **Cliente** ordina a ThermoKey S.p.A. una **Batteria** specificando che è per l’utilizzo come raffreddatore di **Liquido**, le connessioni sono predisposte per l’utilizzo delle sole connessioni “victaulic”.
- Se la **Batteria** è stata ordinata per l’utilizzo come condensatore, non è idonea ad essere utilizzata come raffreddatore di **Liquido**. Allo stesso modo, se la **Batteria** è stata ordinata per l’utilizzo come raffreddatore di **Liquido** non è idonea ad essere utilizzata come condensatore.
- I successivi riferimenti a “**personale esperto e qualificato**”, s’intendono riferiti a personale non di ThermoKey S.p.A., ma a personale selezionato e comunque sotto la responsabilità del **Cliente** o dei terzi che utilizzino o abbiano in qualunque modo la disponibilità delle **Batterie**.
- Il presente documento è composto di dodici pagine, tutte numerate progressivamente da uno a dodici.
- Il presente documento è redatto sia in lingua italiana che in lingua inglese, l’unica versione ufficiale è quella in lingua italiana cosicché – in caso di dubbio interpretativo o di contrasto tra le due versioni – prevale sempre quella in lingua italiana.

Quelle che seguono sono note e precauzioni minime (che devono essere esaminate e applicate da **personale esperto e qualificato** e che il **Cliente** è tenuto e si obbliga a rispettare e a rendere note a chi utilizzi o abbia in qualunque modo la disponibilità delle **Batterie**) e assolutamente indispensabili per il corretto utilizzo delle **Batterie**, fermo il fatto – cui il **Cliente** si obbliga - che la movimentazione, l'installazione, l'utilizzo, lo smaltimento e in generale la custodia e il trattamento di esse devono essere effettuati da **personale esperto e qualificato**, rispettando la normativa vigente, le regole tecniche e di sicurezza applicabili per ciascuna attività posta in essere e utilizzando in ogni caso la massima diligenza e prudenza:

1. Le **Batterie** possono essere utilizzate solo come condensatori oppure come raffreddatori di **Liquido**. In capitoli dedicati del presente documento verranno segnalate alcune accortezze specifiche nei casi in cui: a) venga utilizzata ammoniaca nel circuito primario dell'**Unità** (CAPITOLO “*Note e precauzioni aggiuntive in caso di utilizzo di ammoniaca (NH3) nel circuito primario dell'Unità*”); b) in caso di utilizzo della **Batteria** come raffreddatore di **Liquido** all'interno dell'**Unità** (CAPITOLO “*Note e precauzioni aggiuntive in caso di utilizzo della Batteria come raffreddatore di Liquido all'interno dell'Unità*”).

2. Le **Batterie** sono progettate per la condensazione dei refrigeranti di gruppo 1 o di gruppo 2¹, ciascuna **Batteria** può essere infatti utilizzata solo con uno dei due gruppi di refrigeranti. Sull'etichetta riportata sul collettore di ciascuna **Batteria** è indicato il gruppo dei refrigeranti utilizzabili per quella **Batteria** e la PS² (massima pressione ammissibile). Gli unici refrigeranti ammessi con le **Batterie** sono quelli del gruppo riportato sull'etichetta di ciascuna di esse, l'uso di refrigeranti diversi è rigorosamente vietato e pericoloso, se non dopo l'eventuale approvazione scritta di ThermoKey S.p.A.. Per tutte le **Batterie** è rigorosamente vietato superare in qualsiasi momento la massima pressione ammissibile (PS³).

3. Per il sollevamento e la movimentazione delle **Batterie** si deve sempre previamente controllare il loro peso⁴ effettivo e usare degli adeguati DPI (dispositivi di protezione individuale, vedasi anche il D.Lgs. n. 81/2008) per la sicurezza, facendo la massima attenzione a non danneggiare in alcun modo le **Batterie** e in particolar modo il pacco alettato, i collettori e le connessioni. È rigorosamente vietato usare le connessioni, che sono parti delicate della **Batteria**, come punti di ancoraggio o trazione per il sollevamento o lo spostamento della **Batteria**, pena il grave danneggiamento di essa e gravi rischi per la sicurezza di cose e persone.



NOTE

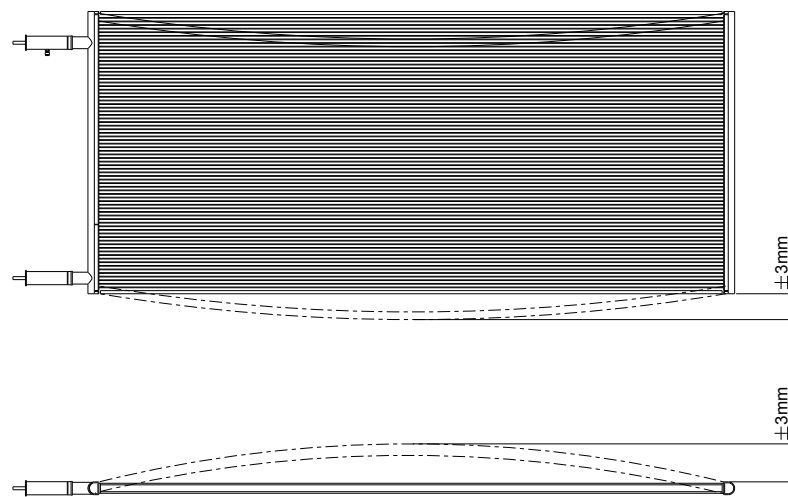
¹ Così come definiti dalla Direttiva 2014/68/UE (PED) e dalle normative tecniche da essa richiamate.

² Così come definita dalla Direttiva 2014/68/UE (PED) e dalle normative tecniche da essa richiamate.

³ Così come definita dalla Direttiva 2014/68/UE (PED) e dalle normative tecniche da essa richiamate.

⁴ Il peso riportato sull'etichetta o su altri documenti di ThermoKey S.p.A. è meramente indicativo e comunque si riferisce alla **Batteria** vuota e senza imballaggio.

4. Durante tutta la vita della **Batteria** (ad esempio: stoccaggio, movimentazione, installazione, manutenzione, pulizia etc.) e quindi anche durante il suo utilizzo, si devono rigorosamente evitare i depositi di qualsiasi sostanza aggressiva per l'**Alluminio** (come ad esempio particolati di rame o sostanze con pH che non rientri nell'intervallo 7-8,2 pH). Questo è valido sia per il circuito interno che per la superficie esterna della **Batteria**. Lo stoccaggio deve essere fatto in luoghi rigorosamente puliti e asciutti. Le **Batterie** possono essere pulite tramite aria, con pressione che assolutamente non deve superare i 10 bar, da una distanza che assolutamente non deve essere inferiore ai 300 mm e solo nella stessa direzione delle alette, pena il rischio di danneggiare gravemente le **Batterie**. Le **Batterie** non devono essere esposte ad alcun tipo di vibrazioni rilevanti, qualunque ne sia la provenienza, pena il rischio di loro grave danneggiamento.



5. Per l'installazione delle **Batterie** su **Unità** devono essere rigorosamente rispettate le seguenti precauzioni, pena il rischio di gravi danni:

- La **Batteria** non può assolutamente essere usata come supporto dell'**Unità** o di altro.
- Il progetto delle parti dell'**Unità** deve essere fatto in modo da evitare vibrazioni di rilievo.
- Si deve assolutamente evitare il ristagno di acqua su qualunque parte della **Batteria**, specialmente nella parte inferiore.
- È rigorosamente vietato fissare meccanicamente la **Batteria** al telaio dell'**Unità**, essendo indispensabile permettere che la **Batteria** si dilati senza ostacoli durante il funzionamento. Per questa ragione: a) è vietato usare sistemi di bloccaggio della **Batteria** all'**Unità** tramite viti o altro; b) è necessario definire un apposito spazio alle estremità dei due collettori di ciascuna **Batteria** cosicché sia permessa la dilatazione di quest'ultima.
- In fase progettuale si deve tenere in considerazione che la **Batteria** è un prodotto brasato e quindi, rispetto alle dimensioni teoriche nominali e/o di disegno fornito da ThermoKey S.p.A., le tolleranze sulla diagonale potrebbero raggiungere +/- 11 mm. Oltre a tali tolleranze, ulteriori tolleranze sono indicate nel seguente disegno.
- In caso di ambienti con temperature inferiori a -10 °C (dieci gradi sotto lo zero Celsius) è vietato usare le **Batterie** con sistemi di regolazione sia dell'aria che del refrigerante di tipo on/off⁵, poiché ciò comporterebbe shock termici tali da danneggiare gravemente la **Batteria**.
- Si deve prevedere attorno all'intera **Batteria** una spugna a celle chiuse. Alternative a questa

- soluzione sono vietate se non dopo l'eventuale approvazione scritta di ThermoKey S.p.A.
- Attraverso l'uso di gel termo-isolanti, si devono proteggere le giunzioni di rame-alluminio da surriscaldamenti durante la brasatura delle connessioni della **Batteria** all'**Unità**.
 - Si deve proteggere la guaina termo-restringente durante la brasatura delle connessioni all'**Unità**.
 - Si devono pulire, adeguatamente e con la massima attenzione e diligenza, le tubazioni in rame prima di brasare le connessioni della **Batteria** per evitare che particolati di rame (residui da precedenti lavorazioni relative all'**Unità**) possano entrare nel circuito interno della **Batteria** durante il funzionamento, danneggiandola.
 - Il collegamento della **Batteria** all'**Unità** non deve creare tensioni meccaniche alle connessioni della **Batteria**.
 - Si deve prevedere e realizzare la buona ed efficace messa a terra dell'**Unità**, rispettando le normative vigenti.
 - Si deve evitare ogni tipo di correnti galvaniche e correnti vaganti di dispersione.
 - Con le **Batterie** è vietato usare sistemi adiabatici se non dopo l'eventuale approvazione scritta di ThermoKey S.p.A.
 - Non si deve modificare in alcun modo la **Batteria** se non previamente autorizzati, per iscritto, da ThermoKey S.p.A.

6. Le **Batterie** non devono mai venire in contatto, nemmeno in fase di manutenzione e pulizia, con agenti corrosivi. Essi possono danneggiare gravemente le **Batterie** stesse. Tra gli agenti corrosivi, a mero titolo d'esempio, vi sono anche prodotti concentrati quali acidi e solventi, che sono per definizione altamente corrosivi per metalli e vernici.

7. In relazione allo smaltimento della **Batteria**, tra le altre cose si deve tenere presente che essa è composta da diversi tipi di **Alluminio** e che, dopo l'uso, nel circuito interno saranno molto probabilmente presenti olii provenienti dal circuito frigorifero dell'**Unità**.

8. Le **Batterie** fornite in cassa di legno non possono essere stoccate all'esterno e, nel caso in cui accada che l'imballo venga esposto ad umidità o pioggia, si rende necessario che le **Batterie** vengano immediatamente tolte dall'imballo ed asciugate, pena il rischio di danneggiarle gravemente.

9. Le **Batterie** devono essere quantomeno trattate con il sistema TKPro (fermo il fatto che è onere generale del **Cliente**, che sottoscrivendo se ne assume comunque l'obbligo, verificare se siano necessari trattamenti protettivi esterni, se del caso anche più resistenti) nei seguenti casi:

- a. in presenza di una delle sostanze elencate nella **Scheda A** in calce al presente documento.
- b. oppure nel caso di ambienti che presentino elevata umidità (> 75 %) per la maggior parte dell'anno.
- c. oppure nel caso di ambienti in cui si verifichi il fenomeno delle piogge acide (come ad esempio il Nord Europa, le regioni scandinave, etc.).
- d. oppure nel caso di ambienti corrosivi così come definiti dalla norma ISO 12944.

Si rimarca il fatto che particolari condizioni ambientali (ad esempio la presenza di un vulcano), da sole od unite anche a una sola di quelle sopra citate, o la particolare aggressività delle piogge acide o degli ambienti corrosivi così come definiti dalla norma ISO 12944 possono rendere TKPro insufficiente a proteggere le **Batterie** e richiedere trattamenti speciali. Su richiesta specifica del **Cliente**, ThermoKey

NOTE

⁵ Trattasi di sistemi che regolano la portata dell'aria o del refrigerante con modalità "a scalino", quindi in modo non lineare e comunque non progressivo.

S.p.A. può quotare e procurare al **Cliente** trattamenti protettivi speciali, diversi da TKPro. Tali trattamenti protettivi speciali e il relativo fornitore saranno scelti dal **Cliente** e individuati sulla base delle informazioni che saranno fornite dal **Cliente** rispetto all'ambiente ove le **Batterie** saranno stoccate e installate.

10. L'utilizzo del trattamento TKPro o di trattamenti speciali di protezione delle **Batterie** è sempre rimesso alla scelta del **Cliente**, che:

- Atteso che nel mondo vi sono zone con condizioni atmosferiche corrosive con conseguente alto rischio di corrosione, deve analizzare con la massima attenzione una serie di importanti variabili, poiché la corrosione di una **Batteria** è strettamente connessa al sito di installazione o di stoccaggio.
- Deve verificare con la massima attenzione non solo gli aspetti ambientali generali, ma anche eventuali particolari micro-climi, dovuti ad esempio anche alla combinazione di fattori ambientali che portino ad un aumento della corrosività a danno delle **Batterie**. Tra questi fattori ambientali, a mero titolo d'esempio, vi sono la presenza di polveri dovute all'inquinamento, l'umidità, il vento, la nebbia, la temperatura, la vicinanza di siti industriali, di vulcani etc. Il **Cliente** deve analizzare, prima dell'acquisto delle **Batterie**, i singoli fattori e l'effetto della loro combinazione e co-presenza nei siti di installazione e stoccaggio.
- Deve verificare la necessità e la adeguatezza di TKPro, o di altro trattamento prescelto, allo specifico ambiente di stoccaggio e installazione, tenendo necessariamente conto anche della **Scheda A** riportata in calce al presente documento.

11. Fermo che è onere del **Cliente** ogni verifica, ai fini del punto 10 (dieci) che precede si segnala che:

- Tra i maggiori inquinanti che possono incidere sulla corrosione vi sono ad esempio:

- a. Ossidi a base di Zolfo (ad esempio SO₂ e SO₃). Essi sono ad esempio presenti in aree urbane e industriali. Essi sono tra i responsabili delle piogge acide e di nebbie corrosive, che comportano sulle Batterie condensazioni di particolati e depositi vari che contengono Ossidi di Zolfo. Queste sostanze derivano ad esempio dalla combustione di carbone, di altri combustibili fossili etc., originati per esempio da impianti industriali, aeroporti, traffico cittadino, impianti chimici, inceneritori, vulcani etc. Tali Ossidi di Zolfo riducono il pH a valori vicino a 3-4 (ambienti quindi acidi), del tutto inadatti alle Batterie che ne risultano gravemente danneggiate.
- b. Cloruri. Essi ad esempio sono presenti in zone costiere, oppure nei cementifici, nei prodotti di pulizia, nei sali antigelo etc.
- c. Ossidi di Azoto e derivati da ammoniaca. Essi possono ad esempio provenire da fertilizzanti, da processi rurali, da trattamenti dell'acqua e da processi vari di fermentazione. Ossidi di azoto e derivati di ammoniaca riducono il pH a valori vicino a 3-4 (ambienti quindi acidi), del tutto inadatti alle Batterie che ne risultano gravemente danneggiate.

- Una sommaria categorizzazione degli ambienti corrosivi può essere la seguente:

- a. Zone rurali: sono zone agricole e piccoli centri urbani distanti dalla costa che presentano anidride solforosa, cloruri, fertilizzanti, pesticidi etc., ma ove vi siano depositi di SO₂ comunque inferiori a 20 µg/m³ e derivati di ammoniaca e Cloruri comunque inferiori a 5 mg/m²/gg.
- b. Zone urbane: sono aree con elevata densità di popolazione ma senza insediamenti industriali, con moderati agenti corrosivi (ad esempio con depositi di SO₂ tra 20 e 100 µg/m³ e derivati di ammoniaca e Cloruri comunque inferiori a 5 mg/m²/gg) ed elevata umidità.
- c. Zone industriali: sono aree con insediamenti industriali, alta concentrazione di elementi corrosivi

(ad esempio depositi di SO₂ oltre i 100µg/m³ e derivati di ammoniaca e Cloruri comunque inferiori a 5 mg/m²/gg).

- d. Zone costiere: sono le aree costiere e quelle interne dove c'è l'influsso del mare (indicativamente entro i 5 km dalla costa, ma il dato è estremamente variabile in base ad una molteplicità di fattori da verificare caso per caso, tra cui anche la forza e la direzione del vento). In tali zone i depositi di Cloruri, gravemente dannosi per le **Batterie**, possono arrivare anche oltre i 1500 mg/m²/gg vicino alla costa.
 - e. Zone costiere-industriali: sono le aree costiere e quelle interne dove c'è l'influsso del mare (indicativamente entro i 5 km dalla costa, ma il dato è estremamente variabile in base ad una molteplicità di fattori da verificare caso per caso, tra cui anche la forza e la direzione del vento), con presenza di siti industriali o porti commerciali. Ciò porta alla presenza di alte percentuali di inquinanti e Cloruri, gravemente dannosi per le **Batterie**.
- **A mero titolo indicativo**, fermo che il **Cliente** deve effettuare sotto la propria esclusiva responsabilità tutte le verifiche necessarie e procedere autonomamente alla scelta del trattamento più idoneo per la protezione delle **Batterie**, uno schema riassuntivo (ipotetico e di larga massima) per la scelta del trattamento TKPro per le **Batterie**⁶ può essere il seguente:

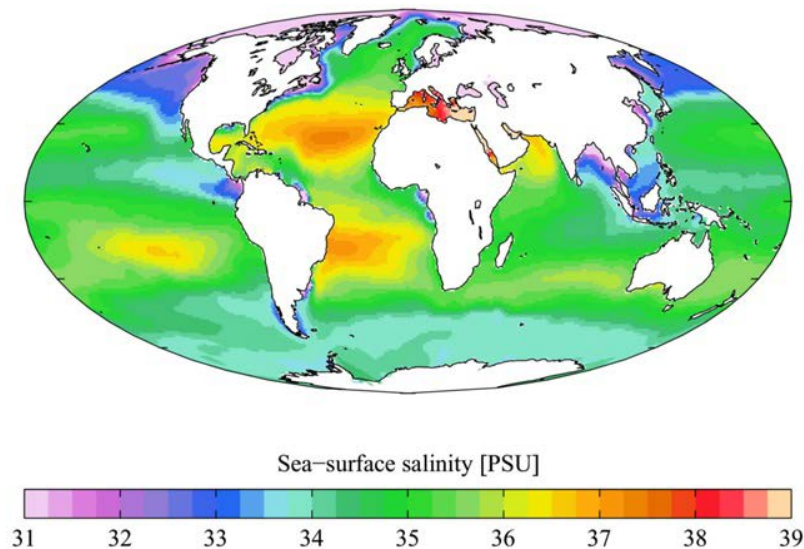
ZONE RURALI (come sopra sommariamente definite), che siano collocate oltre 3 km da siti/processi di fermentazione e agenti inquinanti corrosivi.	Standard TKMicro
ZONE RURALI (come sopra sommariamente definite), che siano collocate entro 3 km da siti/processi di fermentazione e agenti inquinanti corrosivi.	TKPro
ZONE URBANE (come sopra sommariamente definite).	Standard TKMicro
ZONE COSTIERE (come sopra sommariamente definite).	TKPro
ZONE INDUSTRIALI (come sopra sommariamente definite).	TKPro
ZONE COSTIERO-INDUSTRIALI (come sopra sommariamente definite).	Sicuramente in questi casi è necessario prevedere un trattamento protettivo esterno, ma per tali situazioni è impossibile dare anche solo una indicazione ipotetica o di larga massima.

- **Per aiutare a comprendere meglio le difficoltà di individuazione dei rischi di corrosione connessi a specifiche localizzazioni**, si evidenzia che una generica mappa di zona costiera (come quella che, a titolo d'esempio, si riporta di seguito⁷) che riporti le diverse salinità nelle varie zone del mondo, evidenzia come queste cambino sostanzialmente da un luogo all'altro. Questo indica che il trattamento protettivo a volte è necessario e a volte no, nonostante le indicazioni di massima di cui sopra (ad esempio quella di 5 km dal mare).

NOTE

⁶ In ogni caso è il **Cliente** a dover verificare le condizioni del sito di installazione e di stoccaggio delle **Batterie**, condizioni che potrebbero anche cambiare nel tempo (ad esempio per modifiche climatiche e/o per nuove installazioni/attività limitrofe e/o per un diverso uso del territorio circostante) e decidere se effettuare un trattamento protettivo delle **Batterie** e, in caso affermativo, scegliendo quello più adatto (TKPro o trattamenti speciali). Le indicazioni dello schema sono ipotetiche e devono essere adattate ai micro-climi, anche in ragione della concomitanza di una o più delle condizioni precedentemente descritte, posto che nei vari siti si creano in concreto specifiche situazioni che possono essere anche molto diverse da quanto sopra sommariamente indicato. Le definizioni delle ZONE di cui sopra sono infatti concetti puramente teorici ed utilizzabili solo a fini esemplificativi. Esempi di microclimi sono: aree con frequenti e rilevanti usi di insetticidi, magazzini di prodotti chimici, zone logistiche con elevati flussi di trasporto, torri evaporative, aree di smaltimento di prodotti chimici etc. Chi definisce il lay-out del progetto è sempre responsabile della decisione sulla scelta da adottare per quella data applicazione.

⁷ Trattasi di immagine riportata nel presente documento a titolo meramente esemplificativo, tratta dal Web e di cui non si garantisce in alcun modo l'affidabilità. Essa non deve quindi essere presa in alcun modo e sotto alcun profilo come parametro o anche solo spunto per le scelte del **Cliente**.



12. Le **Batterie** non sono a tenuta completamente stagna e il **Cliente** ne deve tenere conto durante tutta la vita di esse (ad esempio: stoccaggio, movimentazione, installazione, manutenzione, pulizia etc.) e quindi anche durante il loro utilizzo e, con la sottoscrizione del presente documento, si obbliga a rendere noto un tanto a chi utilizzi o abbia in qualunque modo la disponibilità delle **Batterie**. Le **Batterie**, peraltro, al termine del processo produttivo vengono testate da ThermoKey S.p.A. e in quel momento rispettano la normativa tecnica EN378. Non è garantito che nel seguito della vita delle **Batterie** esse continuino a rispettare tale normativa tecnica, in particolar modo poiché l'eventuale corrosione e in ogni caso le modalità di trattamento, utilizzo e manutenzione possono incidere sulla integrità delle **Batterie**.

NOTE E PRECAUZIONI AGGIUNTIVE IN CASO DI UTILIZZO DI AMMONIACA (NH₃) NEL CIRCUITO PRIMARIO DELL'UNITÀ

Fermo il fatto:

- a. Che anche quelle che seguono sono note e precauzioni minime (che devono essere esaminate e applicate da personale esperto e qualificato e che il **Cliente** è tenuto e si obbliga a rispettare e a rendere note a chi utilizzi o abbia in qualunque modo la disponibilità delle **Batterie**) e assolutamente indispensabili per il corretto utilizzo delle **Batterie**.
- b. Che è necessario – e il **Cliente** si obbliga in tal senso - che la movimentazione, l'installazione, l'utilizzo, lo smaltimento e in generale la custodia e il trattamento delle **Batterie** siano effettuati da personale esperto e qualificato, rispettando la normativa vigente, le regole tecniche e di sicurezza applicabili per ciascuna attività posta in essere e utilizzando in ogni caso la massima diligenza e prudenza.

Nel caso di utilizzo di ammoniaca (che è tra i refrigeranti del gruppo 1 di cui alla Direttiva 2014/68/UE) nel circuito primario dell'**Unità**, oltre a quanto sopra (punti da 1 a 12):

- La percentuale massima di acqua all'interno del circuito non deve mai superare il 5%, altrimenti potrebbero innescarsi fenomeni di corrosione e la **Batteria** essere gravemente danneggiata.
- Si segnala che è pericoloso l'uso di olii di tipo PAG nel circuito frigorifero poiché potrebbe causare fenomeni di corrosione, danneggiando gravemente la **Batteria**, ciò in quanto tali olii hanno un'elevata igroscopicità che potrebbe causare acidità in presenza di umidità.

- Si ribadisce che se a ThermoKey S.p.A. è stata ordinata una **Batteria** specificando che è per l'utilizzo con ammoniacca, le giunzioni non sono rame-alluminio ma inox-alluminio.

NOTE E PRECAUZIONI AGGIUNTIVE IN CASO DI UTILIZZO DELLA BATTERIA COME RAFFREDDATORE DI LIQUIDO ALL'INTERNO DELL'UNITÀ

Fermo il fatto:

- Che anche quelle che seguono sono note e precauzioni minime (che devono essere esaminate e applicate da personale esperto e qualificato e che il **Cliente** è tenuto e si obbliga a rispettare e a rendere note a chi utilizzi o abbia in qualunque modo la disponibilità delle **Batterie**) e assolutamente indispensabili per il corretto utilizzo delle **Batterie**.
- Che è necessario – e il **Cliente** si obbliga in tal senso - che la movimentazione, l'installazione, l'utilizzo, lo smaltimento e in generale la custodia e il trattamento delle **Batterie** siano effettuati da personale esperto e qualificato, rispettando la normativa vigente, le regole tecniche e di sicurezza applicabili per ciascuna attività posta in essere e utilizzando in ogni caso la massima diligenza e prudenza.

In caso di utilizzo della **Batteria** come raffreddatore di **Liquido** all'interno dell'**Unità**, oltre a quanto sopra (punti da 1 a 12) e pena il rischio di gravi danni:

- Il circuito primario in cui sono inserite le **Batterie** e l'**Unità** deve essere chiuso.
- In tale circuito primario è vietato utilizzare parti in FeZn.
- Tale circuito primario deve essere riempito solo dal **Liquido** e deve essere rimossa tutta l'aria ivi presente.
- Il **Liquido** deve contenere una percentuale minima del 25% di glicole + inibitore, pena il rischio di danneggiare gravemente la **Batteria**. Utilizzare glicoli senza silicati. Esempi di **Liquido** la cui scheda tecnica fornita dal produttore risulta conforme all'utilizzo con le **Batterie**: Tyfocor L., Antifrogen L; (seguire tutte le informazioni riportate nelle rispettive schede tecniche del liquido effettivamente utilizzato).
- Il **pH del Liquido** deve essere sempre mantenuto **tra 7 e 8**, la conducibilità inferiore a 500 $\mu\text{S}/\text{cm}$, i Cloruri inferiori a 50 mg/l e la durezza Totale inferiore a 15 °F (seguire obbligatoriamente tutte le informazioni riportate nelle rispettive schede tecniche del liquido effettivamente utilizzato).
- Salvo che particolari eventi (ad esempio fermi prolungati dell'**Unità** etc.) o condizioni suggeriscano controlli più frequenti, è necessario controllare almeno ogni 6 mesi la percentuale di glicole+inibitore del **Liquido** e qualora essa risulti inferiore al 25% si deve provvedere all'immediato ripristino della percentuale di glicole+inibitore corretta.
- È fortemente sconsigliato anche solo testare le **Batterie** usando solo acqua o comunque con **Liquido** avente percentuale di glicole+inibitore inferiore al 25%. Qualora le **Batterie** siano peraltro così testate, il circuito primario deve essere riempito immediatamente con **Liquido** con le percentuali di glicole+inibitore sopra indicate.
- La massima velocità del **Liquido** deve essere sempre inferiore a 1,4 m/s. Velocità più elevate comportano fenomeni di erosione che possono danneggiare gravemente la **Batteria**.
- Durante l'**avviamento** dell'**Unità** si deve usare un **filtro quantomeno con mesh 100**, mentre durante il funzionamento è sufficiente un filtro mesh 80 e candellette magnetiche. È necessario verificare i filtri almeno ogni 6 mesi.
- La manutenzione deve essere fatta in modo da prevenire con certezza l'ingresso di ossigeno o di altri gas nella **Batteria**.
- La massima pressione ammissibile (PS⁸) di utilizzo della **Batteria** è di 15 bar ed è rigorosamente vietato superarla in qualsiasi momento.

NOTE

⁸ Così come definita dalla Direttiva 2014/68/UE (PED) e dalle normative tecniche da essa richiamate.

- Si ribadisce che se a ThermoKey S.p.A. è stata ordinata una **Batteria** specificando che è per l'utilizzo come raffreddatore di **Liquido**, le connessioni sono predisposte per l'utilizzo delle sole connessioni "victaulic".

SCHEDA A

L'elenco di sostanze e i dati che seguono sono forniti dal produttore delle polveri di base poi utilizzate per realizzare il trattamento TKPro. ThermoKey S.p.A. non se ne assume la responsabilità.

La resistenza chimica di TkPro ai fumi delle sostanze che seguono, è riferita alla singola sostanza e alla temperatura di 20 °C (la resistenza chimica di TKPro a temperature diverse e/o in caso di combinazione di sostanze deve essere oggetto di opportune ed approfondite verifiche tecniche da parte del **Cliente**, non essendo garantito il risultato protettivo):

- | | | |
|------------------------|--------------------------|-----------------------|
| ▪ Acetone | ▪ Gasoline | ▪ Phenolphthalein |
| ▪ Ammonia | ▪ Glucose | ▪ Potassium Chlorides |
| ▪ Ammonium Hydroxide | ▪ Glycol Ether | ▪ Potassium Hydroxide |
| ▪ Benzene | ▪ Hydrogen Sulfide | ▪ Propyl Alcohol |
| ▪ Borax | ▪ Hydrazine | ▪ Propylene Glycol |
| ▪ Butyl Alcohol | ▪ Hydroxylamine | ▪ Salt water |
| ▪ Butyl Cellosolve | ▪ Iodine | ▪ Sodium Bisulfite |
| ▪ Calcium Chloride | ▪ Isobutyl Alcohol | ▪ Sodium Chlorides |
| ▪ Calcium Hypochlorite | ▪ Isopropyl Alcohol | ▪ Sodium Sulfate |
| ▪ Carbon Tetrachloride | ▪ Kerosene | ▪ Sucrose |
| ▪ Cetyl Alcohol | ▪ Lactose | ▪ Sulfates |
| ▪ Chlorides | ▪ Magnesium | ▪ Sulfides |
| ▪ Chlorine Gas | ▪ Menthol | ▪ Sulfites |
| ▪ Creosol | ▪ Methanol | ▪ Starch |
| ▪ Diesel Fuel | ▪ Methylene Chlorides | ▪ Toluene |
| ▪ Diethanolamine | ▪ Methyl Ethyl Ketone | ▪ Triethanolamine |
| ▪ Ethyl Acetate | ▪ Methyl Isobutyl Ketone | ▪ Urea |
| ▪ Ethyl Alcohol | ▪ Mustard Gas | ▪ Vinegar |
| ▪ Ethyl Ether | ▪ Naphthol | ▪ Xylene |
| ▪ Fluorine Gas | ▪ Ozone | |
| ▪ Fructose | ▪ Phosgene | |

Non è ammesso, poiché non fornisce nemmeno in astratto adeguata protezione, l'uso di TKPro in presenza di sostanze non comprese nell'elenco contenuto in questa Scheda. Su richiesta specifica del **Cliente**, ThermoKey S.p.A. può quotare e procurare al **Cliente** trattamenti protettivi speciali, diversi da TKPro. Tali trattamenti protettivi speciali e il relativo fornitore saranno scelti dal **Cliente** e individuati sulla base delle informazioni che saranno fornite dal **Cliente** rispetto all'ambiente ove le **Batterie** saranno stoccate e installate.

Firma del Cliente per ricevuta e presa visione del documento e assunzione degli obblighi ivi contenuti

Luogo, data _____ **Timbro e firma** _____

Uwagi oraz podstawowe środki
bezpieczeństwa podczas
używania wymienników
mikrokanałowych TKMicro

MT IS_B MC SET 01 2026

WERSJA ORYGINALNA NIEJSZEJ INSTRUKCJI ZOSTAŁA
SPORZĄDZONA W JĘZYKU WŁOSKIM

Pojęcia:

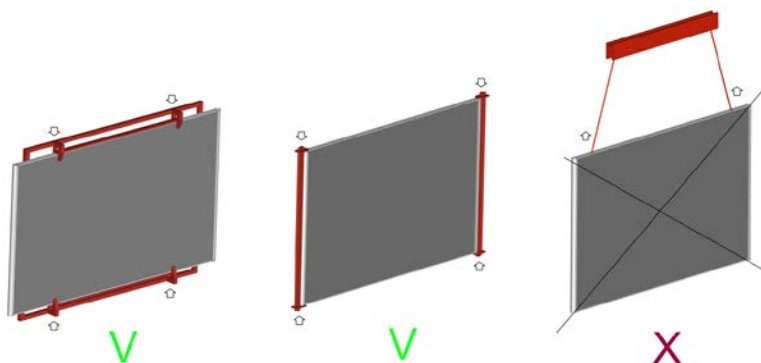
- Uwagi oraz podstawowe środki ostrożności zawarte w niniejszym dokumencie aktualizowanym w lipcu 2017 roku, zastępują wszystkie dokumenty odnoszące się do tego zagadnienia, wydane uprzednio przez ThermoKey S.p.A.
- TKMicro jest nazwą handlową bloków mikrokanałowych produkowanych przez ThermoKey S.p.A.
- Bloki TKMicro będą w dalszej części nazywane jako „**Blok**” lub „**Bloki**”.
- Bloki są wykonane ze stopu aluminium, który będzie w dalszej części nazywany „**Aluminium**”.
- TKPro jest zewnętrznym zabezpieczeniem **Bloku** składającym się z podkładu, powłoki elektroforetycznej oraz filtra UV. W przypadku braku szczegółowych wymagań **Klienta**, **Bloki** są dostarczane bez powłoki TKPro i bez jakiegokolwiek powłoki zabezpieczającej.
- Jedno lub więcej urządzenie HVAC&R będzie dalej nazywane jako „**Urządzenia**”.
- Przez pojęcie „**Ciecz**” rozumiemy w dalszej części dokumentu mieszaninę woda + glikol + inhibitor.
- „**Klient**” oznacza dowolny podmiot zamawiający **Bloki** w ThermoKey S.p.A.
- W przypadku gdy **Klient** podczas zamówienia nie zadecyduje inaczej, otrzyma **Bloki** z przyłączami miedzianymi.
- W przypadku gdy **Klient** podczas zamówienia zażąda **Bloków** w wykonaniu amoniakalnym, otrzyma **Bloki** z króćcami ze stali nierdzewnej.
- W przypadku gdy **Klient** podczas zamówienia zażąda **Bloków** jako chłodnica Cieczy, otrzyma **Bloki** z przyłączami typu „victaulic”.
- Jeśli **Klient** zamawia bloki przeznaczone do pracy jako skraplacz, nie jest możliwe ich wykorzystanie jako chłodnica **Cieczy**. Analogicznie, **Bloki** zamawiane jako chłodnica **Cieczy** nie mogą pracować jako skraplacze.
- Pojęcie „**wykwalifikowanego personelu**” odnosi się nie do osób zatrudnionych przez ThermoKey ale osób wybranych przez **Klienta** i pozostających pod jego nadzorem oraz do osób trzecich mających dostęp do **Bloków**.
- Niniejszy dokument zawiera dwanaście stron, ponumerowanych od 1 do 12.
- Niniejszy dokument został oryginalnie przygotowany w wersji włoskiej i angielskiej.
- W przypadku różnic, nadrzędna jest wersja włoska.

Przedstawione dalej uwagi oraz podstawowe środki bezpieczeństwa są niezbędne dla prawidłowego użytkowania **Bloków**, zatem muszą być przestrzegane przez **wykwalifikowany personel** a **Klient** musi przyjąć na siebie obowiązek o poinformowaniu o nich wszystkich osób, które obsługują lub mają kontakt z **Blokami**. **Klient** jest zobowiązany dopilnować aby wszystkie czynności związane z **Blokami** (przenoszenie, instalacja, użytkowanie, obsługa itd.) były wykonywane przez **wykwalifikowany personel** zgodnie z obowiązującymi przepisami, respektując podstawowe wymagania:

1. **Bloki** mogą pracować jedynie jako skraplacze lub chłodnice **Cieczy**. Odpowiedni rozdział niniejszej instrukcji zawiera dokładne instrukcje jakie muszą być przestrzegane w przypadku gdy: a) w obiegu pierwotnym **Urządzenia** jest stosowany amoniak (ROZDZIAŁ „Uwagi uzupełniające oraz podstawowe środki bezpieczeństwa gdy w obiegu pierwotnym **Urządzenia** zastosowano amoniak (NH₃)); b) **Blok** pracuje w **Urządzeniu** jako chłodnica **Cieczy** (ROZDZIAŁ „Uwagi uzupełniające oraz podstawowe środki bezpieczeństwa gdy **Blok** pracuje w **Urządzeniu** jako chłodnica **Cieczy**).

2. **Bloki** są zaprojektowane do skraplania czynników chłodniczych z grupy 1 lub 2¹, w rzeczy samej każdy **Blok** może być używany z jedną z dwóch grup czynników. Na tabliczce znamionowej każdego **Bloku**, umieszczonej na kolektorze, znajduje się klasyfikacja do grupy czynników jakie mogą być zastosowane wraz z podaną wartością PS² (najwyższe dopuszczalne ciśnienie). **Blok** może być napełniony jedynie czynnikiem umieszczonym na tabliczce znamionowej. Napełnienie innym czynnikiem jest niedozwolone i może być niebezpieczne, poza sytuacją gdy ThermoKey S.p.A. wyrazi na to pisemną zgodę. Przekraczanie najwyższego ciśnienia testowego (PS³) jest niedozwolone dla każdego Bloku.

3. Przed podnoszeniem oraz przemieszczaniem **Bloku**, należy zawsze sprawdzić jego wagę⁴ i użyć właściwych środków ochrony osobistej (dekret 81/2008) dla zapewnienia stosownego poziomu bezpieczeństwa oraz dla wyeliminowania ryzyka uszkodzenia **Bloku**, ze szczególnym uwzględnieniem wymiennika, kolektorów oraz króćców. Jest niedozwolone używanie króćców, które są najdelikatniejszą częścią **Bloku**, jako punkty zaczepienia podczas podnoszenia lub przemieszczania, ponieważ może to doprowadzić do poważnego uszkodzenia **Bloku** oraz stwarzać zagrożenie dla osób i mienia.



UWAGI

¹ Jak opisano w dyrektywie 2014/68/EU (DEP) oraz właściwych normach zharmonizowanych.

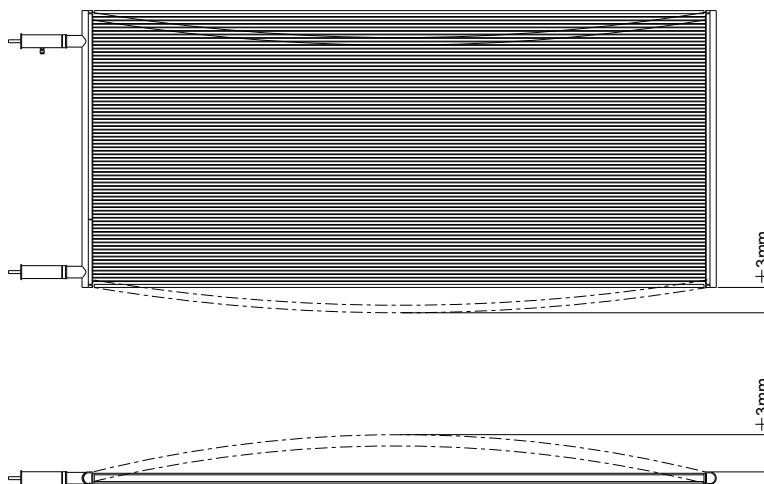
² Jak opisano w dyrektywie 2014/68/EU (DEP) oraz właściwych normach zharmonizowanych.

³ Jak opisano w dyrektywie 2014/68/EU (DEP) oraz właściwych normach zharmonizowanych.

⁴ Waga umieszczona na tabliczce znamionowej dotyczy bloku nienapełnionego, bez opakowania.

4. Podczas całego cyklu użytkowania **Bloku** (np. magazynowanie, przemieszczanie, instalacja, obsługa, czyszczenie, itd.) a także w trakcie użytkowania, należy zapobiegać odkładaniu się substancji agresywnych w stosunku do **Aluminium** (np. opiłki miedzi oraz substancje o współczynniku pH niezawierającym się w przedziale od 7 do 8,2). Dotyczy to zarówno obiegu wewnętrznego jak i powierzchni zewnętrznej Bloku. Magazynowanie musi odbywać się w miejscu czystym i suchym. **Bloki** mogą być czyszczone przy użyciu

sprężonego powietrza (o ciśnieniu, w żadnym razie, nie przekraczającym 10 bar) z odległości nie mniejszej niż 300 mm i tylko równoległe z powierzchnią lamel. W przeciwnym razie zachodzi poważne ryzyko uszkodzenia **Bloku**. **Blok** nie może być wystawiony na działanie wibracji, niezależnie od ich pochodzenia, ponieważ stwarza to ryzyko poważnych uszkodzeń.



5. Podczas instalacji **Bloku** w **Urządzeniu** należy spełnić przedstawione poniżej wytyczne. Ich niespełnienie może spowodować poważne uszkodzenia Bloku:

- **Blok** nie może stanowić konstrukcji nośnej **Urządzenia** ani jakiegokolwiek innego elementu.
- Projekt **Urządzenia** musi być wykonany w sposób eliminujący ryzyko jakichkolwiek wibracji.
- Należy bezwzględnie unikać pozostawania wody na jakiegokolwiek części **Bloku**, szczególnie w jego dolnych partiach.
- Należy bezwzględnie unikać mechanicznego przytwierdzenia **Bloku** do **Urządzenia**. Kluczową kwestią jest zapewnienie możliwości rozszerzania się **Bloku** w trakcie pracy. Z tego powodu: a) nie wolno używać połączeń mechanicznych (śrub, nitów, itp.) pomiędzy **Blokiem** a **Urządzeniem**; b) konieczne jest zapewnienie wystarczającej przestrzeni na obu końcach Bloku, wokół kolektorów, umożliwiającej swobodne rozszerzanie się **Bloku** w trakcie pracy.
- Podczas prac projektowych, konieczne jest uwzględnienie, że **Blok** jako produkt wygrzewany w piecu podczas procesu technologicznego, podlega pewnej tolerancji w stosunku do założeń teoretycznych i/ lub dostarczonej przez ThermoKey S.p.A. dokumentacji. Dopuszczalna tolerancja liczona po przekątnej bloku wynosi +/- 11 mm. Tolerancję pozostałych wymiarów pokazuje poniższy rysunek.
- Należy unikać stosowanie **Bloków** we współpracy z regulacją przepływu powietrza oraz czynnika na zasadzie zał./wył.⁵ przy temperaturze otoczenia poniżej -10 °C, ponieważ może to skutkować szokiem termicznym i poważnym uszkodzeniem **Bloku**.
- Przestrzeń wokół ramy **Bloku** musi być wypełniona pianką o zamkniętych porach. Inny sposób montażu nie jest akceptowany przez ThermoKey S.p.A., chyba że odstępstwo od reguły zostanie uzgodnione na piśmie.
- Podczas lutowania, fabryczna spoina **Bloku** pomiędzy króćcem aluminiowym a miedzianym musi być zabezpieczona przed przegrzaniem, poprzez zastosowanie żelu zabezpieczającego.
- Zabezpieczona przed przegrzaniem musi być również koszulka termokurczliwa, chroniąca fabryczne połączenie pomiędzy króćcem aluminiowym a miedzianym.
- Rurociągi miedziane muszą być odpowiednio oczyszczone przed lutowaniem. Należy się upewnić,

UWAGI

⁵ Istnieją krokowe sposoby regulacji, w przeciwieństwie do bezstopniowych i nieliniowych.

że w rurociągach nie pozostały opiłki miedzią, które mogłyby się dostać do **Bloku** w trakcie jego użytkowania.

- Podłączenie **Bloku** do **Urządzenia** nie może wywierać obciążeń mechanicznych na króćce Bloku.
- Istotne jest prawidłowe i skuteczne uziemienie Urządzenia, zgodnie z obowiązującymi przepisami prawa
- Należy zapobiegać przepływu przez **Blok** prądu pochodzącego z jakiegokolwiek źródła
- Nie wolno wyposażać **Bloku** w jakikolwiek system adyabatyczny, chyba że odstępstwo od reguły zostanie uzgodnione na piśmie z ThermoKey S.p.A.
- Nie wolno wprowadzać modyfikacji **Bloku** w jakikolwiek sposób, chyba że odstępstwo od reguły zostanie uzgodnione na piśmie z ThermoKey S.p.A.

6. **Bloki** nie mogą mieć nigdy, nie tylko w trakcie obsługi i czyszczenia, kontaktu z czynnikami korozyjnymi, mogącymi doprowadzić do poważnych uszkodzeń. Wśród środków korozyjnych są na przykład produkty skoncentrowane, takie jak kwasy i rozpuszczalniki, które z definicji są silnie żrące w stosunku do metali i lakierów.

7. Podczas utylizacji **Bloku**, należy pamiętać, że składa się on z różnych stopów aluminium i że po użyciu, w jego wnętrzu pozostaną resztki olejów stosowanych w obwodzie czynnika chłodniczego **Urządzenia**.

8. **Bloki** dostarczane w drewnianych skrzyniach nie mogą być przechowywane na zewnątrz budynków. Jeśli **Bloki** w skrzyni zostaną wystawione na działanie wilgoci lub deszczu, muszą zostać niezwłocznie wyjęte z opakowania i wysuszone. W przeciwnym razie zachodzi ryzyko poważnych uszkodzeń.

9. Zaleca się stosowanie **Bloków** z zabezpieczającą powłoką TKPro (jednakże pozostawia się decyzji **Klienta** czy powłoka jest konieczna czy może potrzebna jest powłoka odporniejsza niż TKPro) w następujących warunkach:

- a. W przypadku obecności w atmosferze substancji wykazanych w Zestawieniu A stanowiącym załącznik niniejszego dokumentu.
- b. W przypadku wysokiej wilgotności powietrza (>75%) podczas większej części roku.
- c. W przypadku gdy zachodzi zjawisko kwaśnych deszczów (n.p. Europa Północna, Skandynawia, itp.); lub
- d. Występowania atmosfery korozyjnej zdefiniowanej przez ISO 12944.

Należy podkreślić, że wyjątkowe warunki środowiska (dla przykładu regiony wulkaniczne), same lub w połączeniu z warunkami opisanymi powyżej w punktach od a) do d), a także występowanie kwaśnych deszczów lub czynników opisanych przez ISO 12944, może czynić powłokę TKPro niewystarczającą do zabezpieczenia **Bloków** i wymuszać konieczność specjalnych zabezpieczeń. W odpowiedzi na życzenie **Klienta**, ThermoKey S.p.A. może wycenić wykonanie specjalnej powłoki, innej niż TKPro. Taka powłoka oraz jej dostawca powinien być wskazany przez **Klienta** na podstawie analizy danych technicznych oraz warunków środowiska w miejscu instalacji **Bloków**.

10. Wybór powłoki TKPro lub innej powłoki zabezpieczającej **Blok**, leży zawsze po stronie **Klienta**, który:

- Powinien należycie oszacować wpływ zmiennych środowiskowych, uwzględniając że na świecie

korozyjność atmosfery jest zróżnicowana, zaś podatność **Bloku** na korozję jest ściśle powiązana z miejscem instalacji lub magazynowania.

- Powinien należycie uwzględnić nie tylko warunki środowiskowe ale również szczególny wpływ lokalnego mikroklimatu i jego czynników mogących zwiększyć intensywność korozji, aż do zniszczenia **Bloku**. Do takich czynników można zaliczyć obecność zanieczyszczeń, stopień wilgotności, prędkość wiatru, mgłę, poziom temperatur, bliskość stref przemysłowych, wulkany, itp. Przed zamówieniem **Bloków**, **Klient** powinien wziąć pod uwagę wszystkie czynniki środowiskowe, nie tylko te powiązane bezpośrednio z miejscem instalacji ale również magazynowania.
- Podejmując decyzję o zastosowaniu powłoki TKPro lub innego sposobu zabezpieczenia **Bloku**, należy kierować się informacjami zawartymi w **Zestawieniu A** dołączonym do niniejszego dokumentu.

11. Podczas podejmowania decyzji opisanych w punkcie 10 obowiązkiem **Klienta** jest dokonanie niezbędnej oceny. Dodatkowo należy podkreślić, że:

- **wśród substancji mających największy wpływ na korozję są:**

- a. Tlenki siarki (np. SO₂ oraz SO₃). Związki te występują, dla przykładu, w środowisku miejskim i przemysłowym. Są odpowiedzialne za powstawanie kwaśnych deszczów oraz mgieł, powodujących wykraplanie wilgoci oraz osady tlenków siarki na **Blokach**. Tlenki siarki powstają w wyniku spalania węgla oraz innych paliw kopalnych w okolicy okręgów przemysłowych, fabryk chemicznych, lotnisk, miejsc o natężonym ruchu kołowym, spalarni odpadów, wulkanów itp. Tlenki siarki obniżają współczynnik pH do wartości zbliżonych do 3-4 (środowisko kwaśne), całkowicie niesprzyjające **Blokom**, mogące w rezultacie spowodować poważne uszkodzenia.
- b. Chlorki występują między innymi w regionach nadmorskich, w okolicach cementowni, dróg (sól w okresie zimowym), itp.
- c. Tlenki azotu i pochodne amoniaku występują w nawozach, w związku z czym pojawiają się na terenach rolniczych, w pobliżu stacji uzdatniania wody oraz kompostowni. Tlenki azotu i pochodne amoniaku obniżają współczynnik pH do wartości zbliżonych do 3-4 (środowisko kwaśne), całkowicie niesprzyjające **Blokom**, mogące w rezultacie spowodować poważne uszkodzenia

- **kategorie środowisk korozyjnych:**

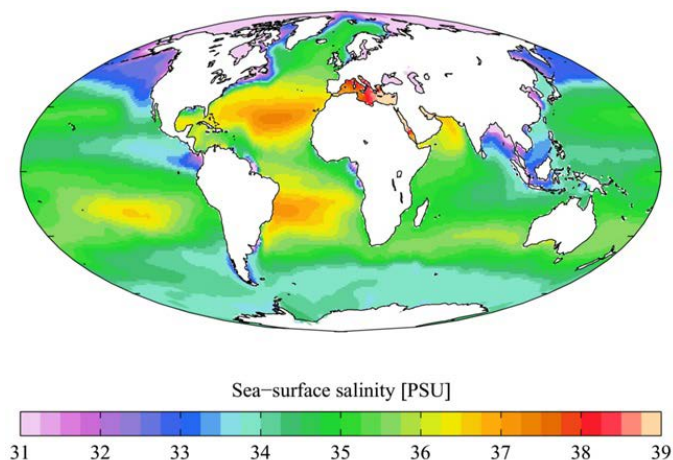
- a. Obszary wiejskie: zaliczają się do nich obszary rolnicze oraz małe miasteczka położone z dala od wybrzeża, gdzie występuje bezwodna siarka, chlorki, nawozy, pestycydy, itp., ale gdzie obecność SO₂ jest niższa niż 20 µg/m³ zaś obecność pochodnych amoniaku oraz NaCl jest niższa niż 5 mg/m²/dzień.
- b. Obszary miejskie: zaliczają się do nich obszary gęsto zaludnione ale bez stref przemysłowych, o umiarkowanym zanieczyszczeniu (dla przykładu stężenie SO₂ jest na poziomie 20-100 µg/m³ zaś pochodnych amoniaku oraz chlorków mniejsze niż 5 mg/m²/dzień).
- c. Obszary przybrzeżne: zalicza się do nich wybrzeże lub tereny znajdujące się w strefie oddziaływań morza (średnio około 5 km od wybrzeża, jakkolwiek bezwzględnie należy tu brać pod uwagę inne czynniki, jak chociażby kierunek i siłę wiatru). W tych obszarach obecność chlorków może przekroczyć, blisko brzegu, 1500 mg/m²/dzień, co może doprowadzić do poważnych uszkodzeń **Bloków**.
- d. Obszary przybrzeżne-uprzemysłowione: zalicza się do nich wybrzeże lub tereny znajdujące się w strefie oddziaływań morza (średnio około 5 km od wybrzeża, jakkolwiek bezwzględnie należy tu brać pod uwagę inne czynniki, jak chociażby kierunek i siłę wiatru) gdzie występują strefy przemysłowe lub porty. W takich miejscach poziom zanieczyszczeń oraz chlorków jest zazwyczaj wysoki, co może doprowadzić do poważnych uszkodzeń **Bloków**.

- Przykładowo, uwzględniając, że **Klient** musi przeprowadzić na własną odpowiedzialność, konieczne analizy i podjąć decyzję odnośnie najlepszego sposobu zabezpieczenia Bloków⁶, poniżej zamieszczono (hipotetyczne i ogólne) podsumowanie wyboru TKPro jako sposobu ochrony przed korozją:

Obszary wiejskie (jak opisano powyżej), położone nie bliżej niż 3 km od kompostowni / obszarów generujących zanieczyszczenia.	Standardowy blok TKMicro
Obszary wiejskie (jak opisano powyżej), położone bliżej niż 3 km od kompostowni / obszarów generujących zanieczyszczenia.	TKPro
Obszary miejskie (jak opisano powyżej).	Standardowy blok TKMicro
Obszary przybrzeżne (jak opisano powyżej).	TKPro
Obszary uprzemysłowione (jak opisano powyżej).	TKPro
Obszary przybrzeżne-uprzemysłowione (jak opisano powyżej).	W takich miejscach na pewno należy zastosować dodatkową ochronę ale niemożliwe jest wskazanie hipotetycznego i ogólnego rozwiązania.

UWAGI

- Aby lepiej zrozumieć trudności związane z określeniem ryzyka korozji w odniesieniu do konkretnej lokalizacji, należy podkreślić, że ogólna mapa obszarów przybrzeżnych (jak przytoczona poniżej⁷ jako przykład) pokazuje jak bardzo poziom zasolenia jest zmienny w zależności od lokalizacji. To pokazuje, że zabezpieczenie jest czasami potrzebne ale nie zawsze, pomimo ogólnych wskazań przytoczonych powyżej (jak odległość 5 km od brzegu).



12. **Bloki** nie są całkowicie wodoodporne i **Klient** musi uwzględnić to dla czasu ich trwałości (np. przechowywanie, transport, instalacja, obsługa, czyszczenie, itp.) w trakcie całego okresu użytkowania, oraz zastosowanie informacji zawartych w niniejszym dokumencie. **Klient** zobowiązuje się do przestrzegania dokumentacji i udostępnienia jej osobom, korzystającym lub mającym dostęp do **Bloków**. **Bloki** po zakończeniu procesu produkcji są przez ThermoKey S.p.A. testowane i w tym momencie zgodne z EN378. ThermoKey S.p.A. nie może gwarantować i nie gwarantuje nieskończonej zgodności

⁶ W każdym przypadku, to do Klienta należy określenie warunków w miejscu instalacji i przechowywania Bloków. Warunki te mogą podlegać wahaniom (dla przykładu, zmiany klimatu i/ lub inne instalacje w pobliżu i/lub zmiany w użytkowaniu okolicznych terenów) dlatego należy podjąć decyzję czy dodatkowa ochrona przed korozją Bloków jest wymagana. Jeśli tak, decyzji Klienta pozostawia się wybór właściwej powłoki (TKPro lub inna). Przedstawione powyżej wskazania są hipotetyczne i muszą zostać zaadaptowane do lokalnych uwarunkowań mikroklimatycznych, przy uwzględnieniu jednego lub więcej zaprezentowanych czynników. Definicje obszarów są jedynie teoretyczne i mogą stanowić jedynie przykład dla szczegółowych rozważań. To samo odnosi się do przykładów mikroklimatu, jak obszary z występowaniem pestycydów, gdzie składuje się środki chemiczne, obszary o intensywnym ruchu kołowym, okolice wież chłodniczych, itp.. Osoba zawsze pozostaje odpowiedzialna za decyzję odnośnie rozwiązania najodpowiedniejszego dla konkretnej lokalizacji.

⁷ Rysunek przedstawiony w niniejszym dokumencie jest jedynie przykładem, pobranym z sieci a jego wiarygodność nie jest gwarantowana. W związku z tym nie może stanowić podstawy dla decyzji Klienta.

Bloków z tymi normami, głównie ze względu na możliwość korozji wynikającej z niewłaściwego oszacowania wpływu środowiska oraz niewłaściwej obsługi.

ROZDZIAŁ POŚWIĘCONY UZUPENIAJĄCYM ŚRODKOM BEZPIECZEŃSTWA W INSTALACJACH AMONIAKALNYCH

Pojęcia:

- a. Przedstawione dalej uwagi oraz podstawowe środki bezpieczeństwa są niezbędne dla prawidłowego użytkowania **Bloków**, zatem muszą być przestrzegane przez **wykwalifikowany personel** a **Klient** musi przyjąć na siebie obowiązek o poinformowaniu o nich wszystkich osób, które obsługują lub mają kontakt z **Blokami**.
- b. **Klient** jest zobowiązany dopilnować aby wszystkie czynności związane z **Blokami** (przenoszenie, instalacja, użytkowanie, obsługa itd.) były wykonywane przez **wykwalifikowany personel** zgodnie z obowiązującymi przepisami.

Jeśli w obiegu jako czynnik chłodniczy jest używany amoniak (znajdujący się w grupie 1 czynników chłodniczych wg dyrektywy 2014/68/EU) w uzupełnieniu przedstawionych powyżej punktów (od 1 do 12) należy przestrzegać poniższych wytycznych:

- Maksymalna zawartość wody w obiegu nie może przekraczać 5%. W przeciwnym razie może wystąpić zjawisko korozji a **Blok** może ulec poważnym uszkodzeniom.
- Użycie w obiegu olejów typu PAG jest niebezpieczne ponieważ może powodować zjawisko korozji a **Blok** może ulec poważnym uszkodzeniom. Oleje typu PAG są higroskopijne co może powodować kwaśny odczyn w obecności wilgoci.
- Jeśli **Blok** jest zamawiany od ThermoKey S.p.A. w wersji amoniakalnej, króćce przyłączeniowe wykonane będą nie z miedzi lecz ze stali nierdzewnej.

ROZDZIAŁ POŚWIĘCONY UZUPENIAJĄCYM ŚRODKOM BEZPIECZEŃSTWA W INSTALACJACH GLIKOLOWYCH

Pojęcia:

- a. Przedstawione dalej uwagi oraz podstawowe środki bezpieczeństwa są niezbędne dla prawidłowego użytkowania **Bloków**, zatem muszą być przestrzegane przez **wykwalifikowany personel** a **Klient** musi przyjąć na siebie obowiązek o poinformowaniu o nich wszystkich osób, które obsługują lub mają kontakt z **Blokami**.
- b. **Klient** jest zobowiązany dopilnować aby wszystkie czynności związane z **Blokami** (przenoszenie, instalacja, użytkowanie, obsługa itd.) były wykonywane przez **wykwalifikowany personel** zgodnie z obowiązującymi przepisami.

Jeśli **Blok** pracuje w **Urządzeniu** jako chłodnica cieczy w **uzupełnieniu** przedstawionych powyżej punktów (od 1 do 12) należy przestrzegać poniższych wytycznych. Niezastosowanie się do nich grozi poważnym uszkodzeniem **Bloku**:

- **Blok** musi pracować jako element zamkniętego obiegu cieczy.
- W obiegu nie wolno stosować elementów stalowych.

- Obieg musi być wypełniony tylko **Cieczą** i dokładnie odpowietrzony.
- **Ciecz** musi zawierać minimum 25% glikolu + inhibitora. W przeciwnym razie może nastąpić poważne uszkodzenie **Bloku**. Używać glikoli bez krzemianów. Przykłady cieczy, których karta techniczna dostarczona przez producenta jest zgodna z zastosowaniem w rdzeniach, to: Tyfocor L, Antifrogen L.; (należy ściśle przestrzegać wszystkich informacji zawartych w odpowiednich kartach technicznych rzeczywiście użytego płynu).
- Współczynnik **pH cieczy** musi mieścić się w granicach **od 7 do 8**, przewodność elektryczna musi być niższa niż 500 $\mu\text{S}/\text{cm}$, zawartość chlorków musi być niższa niż 50 mg/l, a całkowita twardość musi być mniejsza niż 15 °F (obowiązkowo należy przestrzegać wszystkich informacji zawartych w odpowiednich kartach technicznych rzeczywiście użytego płynu).
- Poza szczególnymi sytuacjami (n.p. kiedy **Blok** jest przez dłuższy czas nieużywany) lub gdy warunki środowiskowe wymagają innego podejścia, wymagane jest sprawdzanie co najmniej raz na 6 miesięcy stężenia glikolu + inhibitora w **Cieczy**. Jeśli stężenie spadnie poniżej 35 %, konieczne jest niezwłoczne uzupełnienie glikolu + inhibitora.
- Zdecydowanie nie jest zalecane testowanie **Bloku** przy użyciu wody lub **Cieczy** o zawartości glikolu + inhibitora poniżej 25%. Jeśli **Blok** jest testowany w ten sposób, obieg wewnętrzny musi być niezwłocznie wypełniony cieczą o zawartości glikolu + inhibitora jak przedstawiono powyżej.
- Prędkość przepływu **Cieczy** nie może przekraczać 1,4 m/s. Większa prędkość przepływu wzmacnia zjawisko korozji i może doprowadzić do poważnego uszkodzenia **Bloku**.
- Podczas rozruchu urządzenia, **należy stosować filtry o oczkach minimum 100, zaś podczas użytkowania filtrów o oczkach 80 z magnetycznym korkiem spustowym**. Wymagana jest **kontrola filtrów minimum raz na sześć miesięcy**.
- W trakcie obsługi należy dopilnować aby do obiegu wewnętrznego **Bloku** nie dostał się tlen ani jakikolwiek inny gaz.
- Najwyższe dopuszczalne ciśnienie (PS⁸) pracy **Bloku** to 15 bar. Wartości tej nie wolno przekraczać w żadnej sytuacji.
- Jeśli **Blok** jest zamawiany od ThermoKey S.p.A. jako chłodnica cieczy, **Klient** otrzyma **Blok** z króćcami przyłączeniowymi typu „victaulic”.

UWAGI

⁸ Jak opisano w dyrektywie 2014/68/EU (DEP) oraz właściwych normach zharmonizowanych.

ZESTAWIENIE A

Poniższa lista substancji została przedstawiona przez producenta powłoki TKPro. W związku z tym, ThermoKey S.p.A. nie bierze odpowiedzialności za zawartość merytoryczną listy. Odporność chemiczna powłoki TKPro na opary wyszczególnionych substancji odnosi się do działania pojedynczej substancji w temperaturze 20°C (odporność chemiczna powłoki TKPro w innych temperaturach i/lub dla mieszaniny substancji powinna być oszacowana przez **Klienta**, ponieważ stopień ochrony nie jest wówczas gwarantowany):

- Aceton
- Amoniak
- Wodrotlenek amonu
- Benzen
- Boraks
- Alkohol butylowy
- Butyloceluloza
- Chlorek wapnia
- Podchloryn wapnia
- Trójchlorek węgla
- Alkohol cetylowy
- Chlorki
- Gaz chlorowy
- Kreozol
- Olej napędowy
- Dietanoloamina
- Octan etylu
- Alkohol etylowy
- Eter etylowy
- Gaz fluorowy
- Fruktaza
- Benzyna
- Glukoza
- Glikol eterowy
- Siarkowodór
- Hydrazyna
- Hydroksyloamina
- Jodyna
- Alkohol izobutyłowy
- Alkohol izopropylowy
- Laktoza naftowa
- Magnez
- Mentol
- Metanol
- Chlorki metylenu
- Keton metylowoetylowy
- Keton metylowo izobutyłowy
- Gaz musztardowy
- Naftol
- Ozon
- Fosgen
- Fenoloftaleina
- Chlorek potasu
- Wodrotlenek potasu
- Alkohol propylowy
- Alkohol propylenowy
- Solanka
- Siarczek sodu
- Chlorek sodu
- Siarczan sodu
- Sacharoza
- Siarczany
- Siarczki
- Siarczyny
- Skrobia
- Toluen
- Trietanolamina
- Mocznik
- Ocet
- Ksylen

Użycie powłoki TKPro w celu ochrony przez substancjami spoza powyższej listy jest niedozwolone ponieważ nie zapewnia właściwego stopnia ochrony, nawet hipotetycznie. Na życzenie **Klienta**, ThermoKey S.p.A. może wycenić oraz dostarczyć Bloki z powłoką inną niż TKPro. Rodzaj powłoki oraz jej producent powinien zostać wybrany przez **Klienta** i powiązany z konkretnym składem atmosfery w której **Bloki** byłyby składowane oraz instalowane.

Podpis Klienta potwierdzający, akceptację i zgodę na wypełnienie wytycznych zawartych w tym dokumencie.

Miejsce i data _____ Podpis i pieczęć _____

ThermoKey®
Heat Exchange Solutions

ThermoKey Spa
via dell'Industria, 1 - 33061
Rivarotta di Rivignano Teor (UD) - Italy

T. +39 0432 772300
F. +39 0432 779734
info@thermokey.com
www.thermokey.com

MT IS_B MC SET 01 2026